

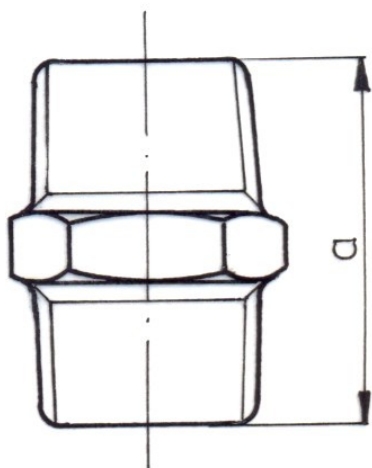


ODLEWNIA ŹELIWA  
ZAWIERCIE

**N8**  
R-L



**281/39**



Odlewnia Źeliwa  
Spółka Akcyjna  
ul. Leśna 10  
42-400 Zawiercie

[www.malleableironfittings.com](http://www.malleableironfittings.com)

## HEXAGON NIPPLE, RIGHT AND LEFT HAND THREAD

PN, EN, ISO  
CATALOGUE INTERNATIONAL  
CATALOGUE EE

N8 R-L  
281  
39

| dimension<br>[inch] | weight of carton [kg] |      | quantity in<br>carton [pc.] | dimension<br>a [mm] |
|---------------------|-----------------------|------|-----------------------------|---------------------|
|                     | black                 | galv |                             |                     |
| 3/8                 | 6,6                   | 7,4  | 150                         | 38                  |
| 1/2                 | 7,2                   | 7,5  | 100                         | 44                  |
| 3/4                 | 6,6                   | 6,8  | 70                          | 47                  |
| 1                   | 7,0                   | 7,3  | 40                          | 53                  |
| 1 1/4               | 5,6                   | 5,9  | 20                          | 57                  |
| 1 1/2               | 6,2                   | 6,5  | 20                          | 59                  |
| 2                   | 4,4                   | 4,6  | 8                           | 68                  |